

CODE NUMBER

3070016

DESCRIPTION

1.6 gpf, Angle Stop Extended Bumper, Polished Chrome Finish, 1.25" Flush Connection, Top Spud, Single Flush, GEM-2® Exposed Manual Water Closet Flushometer.

DETAILS

- Flush Volume: 1.6 gpf (6.0 Lpf)
- Finish: Polished Chrome (CP)
- Valve: Piston
- Valve Body Material: Semi-red Brass
- Fixture Type: Water Closet
- Fixture Connection: Top Spud
- Rough-In Dimension: 11 ½" (292mm)
- Spud Coupling: 1 ½" (38mm)
- Supply Pipe: 1" (25mm)
- Flush Connection: 1.25" (U)
- Bumper: Angle Stop Extended (YG)

FEATURES

- Flush volumes start at 1.28 gpf/4.8 Lpf for greater water savings
- Fixed volume piston with filtered O-ring bypass and ADA-compliant, metal oscillating non-hold-open handle ensure reliable, water-efficient operation
- Integrity of the product is maintained with control stop plug
- Durability is facilitated with high copper, low zinc brass castings for dezincification resistance and components made from PERMEX® rubber compound for chloramine resistance
- Adjustable tailpiece
- Valve body, Cover, Tailpiece and Control Stop shall be in compliance with ASTM Alloy Classification for Semi-Red Brass
- Valve shall be in compliance to the applicable sections of ASSE 1037.



Variations Not Shown: Angle Stop Extended and 1.25" Flush Connection

COMPLIANCES & CERTIFICATIONS

(ADA Compliant, cUPC Certified, BAA Compliant)

RECOMMENDED SPECIFICATION

Valve Body, Cover, Tailpiece and Control Stop shall be in conformance with ASTM Alloy Classification for Semi- Red Brass. Valve shall be in compliance with the applicable sections of ASSE 1037 and ANSI/ASME 112.19.2.

VALVE OPERATING PRESSURE (FLOWING)

15-80 PSI (103-552 kPa). Specific fixtures may require greater minimum flowing pressure - consult manufacturer requirements.

DOWNLOADS

- [GEM/GEM 2 Piston Type Exposed Installation Instructions](#)
- [Control Stop Repair and Maintenance Guide](#)
- [Flush Connections Flanges Repair and Maintenance Guide](#)
- [Tail Piece Repair and Maintenance Guide](#)
- [Gem 2 Repair and Maintenance Guide](#)
- [Additional Downloads](#)

NOTES

All information contained within this document subject to change without notice.

Looking for other variations of the GEM-2 111 product? [View the general spec sheet with all options.](#)

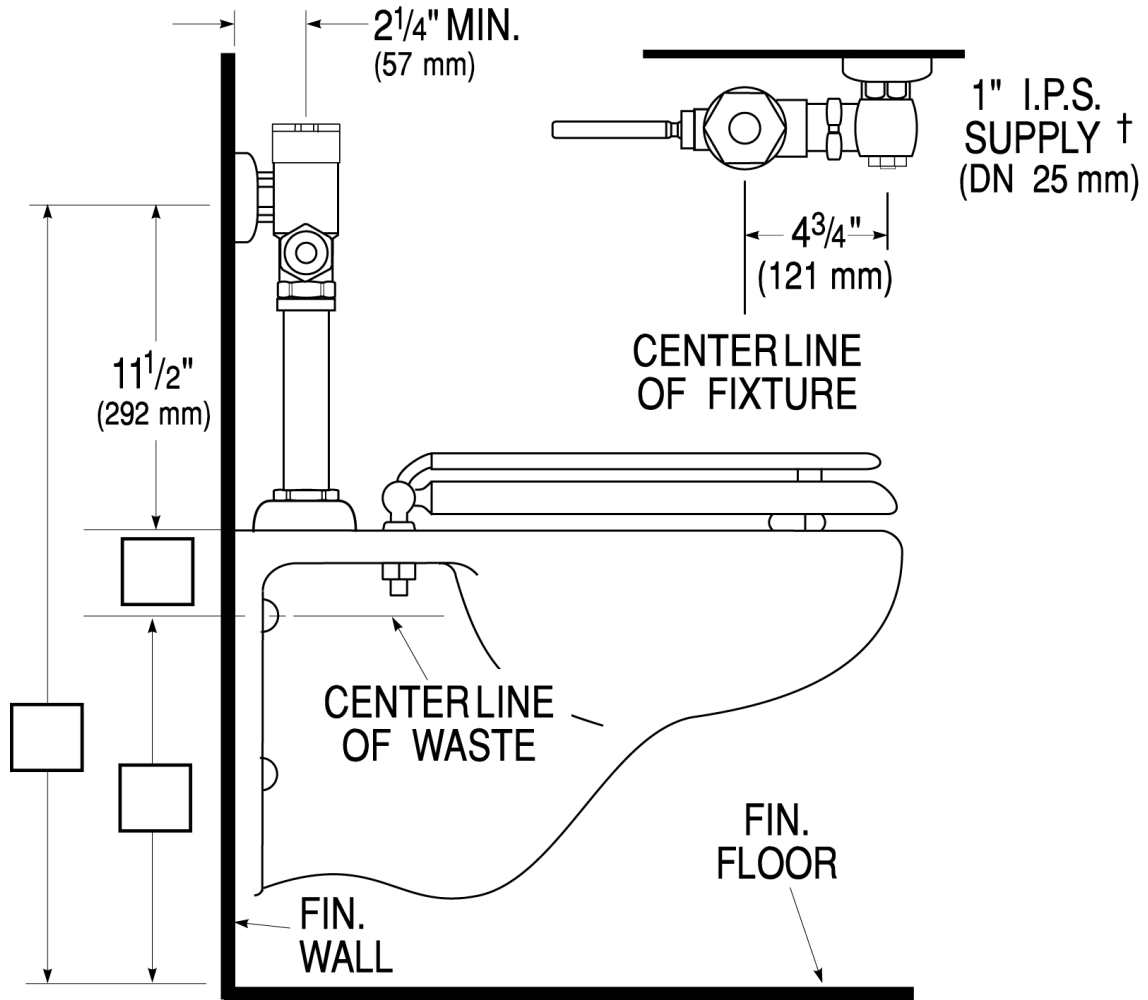
[Find a compatible urinal](#) for this flushometer.

[Find a compatible water closet](#) for this flushometer.

Sloan 10500 Seymour Ave, Franklin Park, IL 60131

Phone: 800.982.5839 • Fax: 800.447.8329 • sloan.com

ROUGH-IN



Sloan 10500 Seymour Ave, Franklin Park, IL 60131
Phone: 800.982.5839 • Fax: 800.447.8329 • sloan.com